

Rear Derailleur (Di2)



User's manuals in other languages are available at :
<http://si.shimano.com>

IMPORTANT NOTICE

- Contact the place of purchase or a bicycle dealer for information on installation and adjustment of the products which are not found in the user's manual. A dealer's manual for professional and experienced bicycle mechanics is available on our website (<http://si.shimano.com>).
- Do not disassemble or alter this product.

For safety, be sure to read this user's manual thoroughly before use, and follow them for correct use.

Important Safety Information

Guidelines that require replacement, contact the place of purchase or a bicycle dealer.

WARNING

- Maintenance interval depends on the usage and riding circumstances. Clean regularly the chain with an appropriate chaincleaner. Never use alkali based or acid based solvents such as rust cleaners. If those solvent be used chain might break and cause serious injury.
- Check the chain for any damage (deformation or crack), skipping, or other abnormalities such as unintended gear shifting. If any problems are found, consult a dealer or an agency. The chain may break, and you may fall.
- After reading the user's manual carefully, keep it in a safe place for later reference.

Note

- Be sure to check that the plate unit cover and cap are installed before riding the bicycle. *In the case of MTB
- Be careful not to let water get into the terminal.
- The components are designed to be fully waterproofed to withstand wet weather riding conditions; however, do not deliberately place them into water.
- Do not clean the bicycle in a high-pressure car wash. If water gets into any of the components, operating problems or rusting may result.
- Handle the products carefully, and avoid subjecting them to any strong shocks.
- Do not use thinners or similar substances to clean the products. Such substances may damage the surfaces.
- If gear shifting operations cannot be carried out smoothly, clean the derailleur and lubricate all moving parts.
- If the chain keeps skipping, ask the place of purchase to replace the chainrings, sprockets and/or the chain.

- If there is a large amount of play in the pulleys which causes a lot of annoying noise, ask the place of purchase to replace the pulleys.
- You should periodically wash the sprockets in a neutral detergent. In addition, cleaning the chain with neutral detergent and lubricating it can be an effective way of extending the useful life of the sprockets and the chain.
- Contact the place of purchase for updates of the product software. The most up-to-date information is available on the Shimano website.
- Products are not guaranteed against natural wear and deterioration from normal use and aging.
- For maximum performance we highly recommend Shimano lubricants and maintenance products.

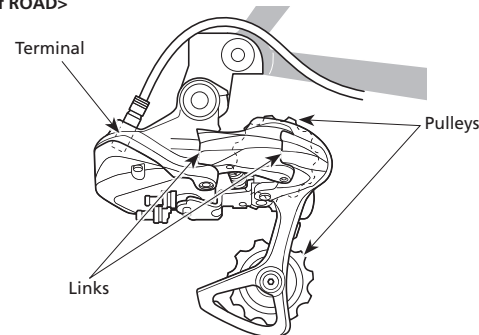
Regular inspections before riding the bicycle

Before riding the bicycle, check the following items. If any problems are found with the following items, contact the place of purchase or a bicycle dealer.

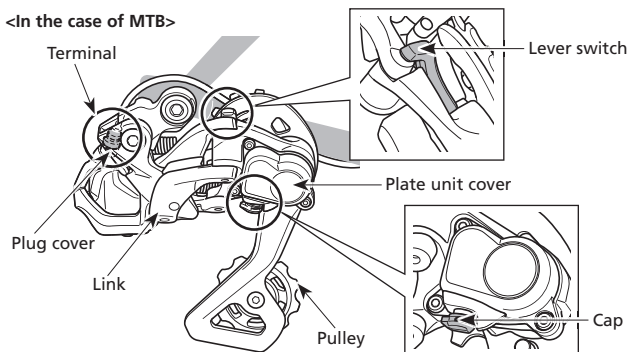
- Is gear shifting carried out smoothly?
- Do the links have large amounts of play in them?
- Do the pulleys have large amounts of play in them?
- Are the derailleurs making any abnormal noises?
- Is the chain stretched?
- Is there any noticeable damage to the chain?
- Is the plug cover in place? *In the case of MTB

Names of parts

<In the case of ROAD>

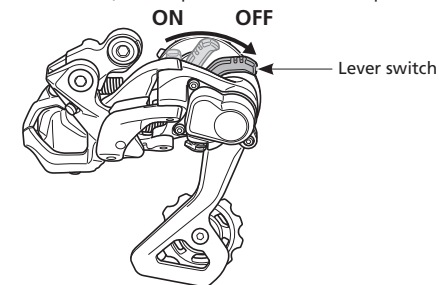


<In the case of MTB>



Operation

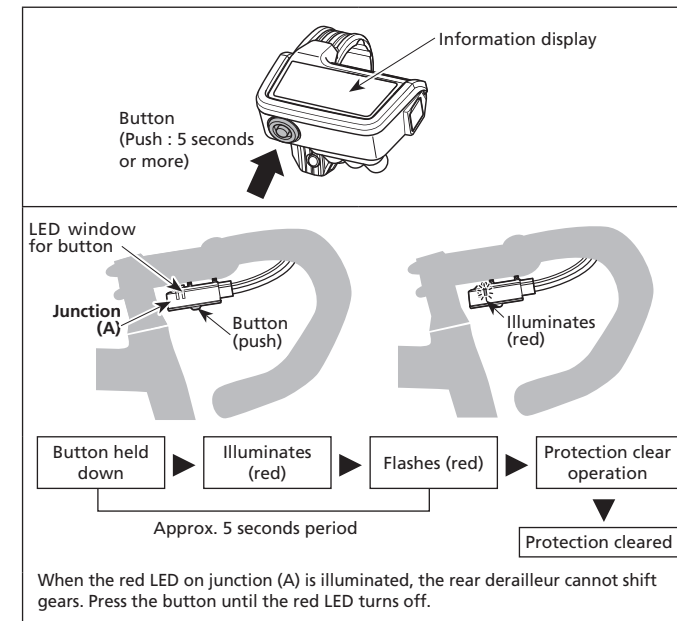
Be sure to move the lever switch to the OFF position before removing the rear wheel.
 *Depending on the model, the shape and the lever switch position may differ.



About the protection function

* Rotate the front chainwheel while restoring operation after the protection function has been activated.

If the bicycle receives a strong impact, the protection function operates and the connection between the motor and the link is momentarily severed so that the rear derailleur will no longer operate. If this happens, press the information display mode button or the button on junction (A) for 5 seconds or more. This will restore the connection between the motor and the link and clear the protection function for the rear derailleur. If recovery cannot be performed through button operation, manual operation is also possible. Consult with a distributor in advance.



SHIMANO

SHIMANO AMERICAN CORPORATION
 One Holland, Irvine, California 92618, U.S.A. Phone: +1-949-951-5003

SHIMANO EUROPE B.V.
 Industrieweg 24, 8071 CT Nunspeet, The Netherlands Phone: +31-341-272222

SHIMANO INC.
 3-77 Oimatsu-cho, Sakai-ku, Sakai-shi, Osaka 590-8577, Japan

Please note: specifications are subject to change for improvement without notice. (English)
 © Apr. 2014 by Shimano Inc. HTR